



# Modular Cooking Range Line 700XP Two Wells Electric Fryer Top 5 liter

ITEM # \_\_\_\_\_

MODEL # \_\_\_\_\_

NAME # \_\_\_\_\_

SIS # \_\_\_\_\_

AIA # \_\_\_\_\_



371074 (E7FRED2A00)

5+5-lt electric Fryer Top with 2 wells (internal heating elements), 2 baskets and lids included

371139 (E7FRED2A0N)

5+5-lt electric Fryer Top with 2 wells (internal heating elements), 2 baskets and lids included

## Short Form Specification

Item No. \_\_\_\_\_

To be installed on open base installations, bridging supports or cantilever systems. High efficiency tilting incoloy armoured heating elements (9kW) placed inside the wells. Deep drawn well. Oil drains through a tap on the front. Exterior panels in stainless steel with Scotch Brite finish. One piece pressed work top in 1.5 mm thick stainless steel. Right-angled side edges to allow flush-fitting junction between units.

## Main Features

- Unit to be mounted on open base cupboards, bridging supports or cantilever systems.
- Thermostatic regulation of oil temperature up to a maximum of 185 °C.
- Overheat protection thermostat as standard on all units.
- Oil drains through a tap positioned on the front the wells.
- All major compartments located in front of unit for ease of maintenance.
- IPx4 water protection.
- Incoloy armoured heating elements located inside the well can be lifted up for easier cleaning.
- Optional portable oil quality monitoring tool (code 9B8081) for efficient oil management.
- Suitable for countertop installation.

## Construction

- Interior of well with rounded corners for ease of cleaning.
- All exterior panels in Stainless Steel with Scotch Brite finishing.
- One piece pressed 1.5 mm work top in Stainless steel.
- Model has right-angled side edges to allow flush fitting joints between units, eliminating gaps and possible dirt traps.

APPROVAL: \_\_\_\_\_



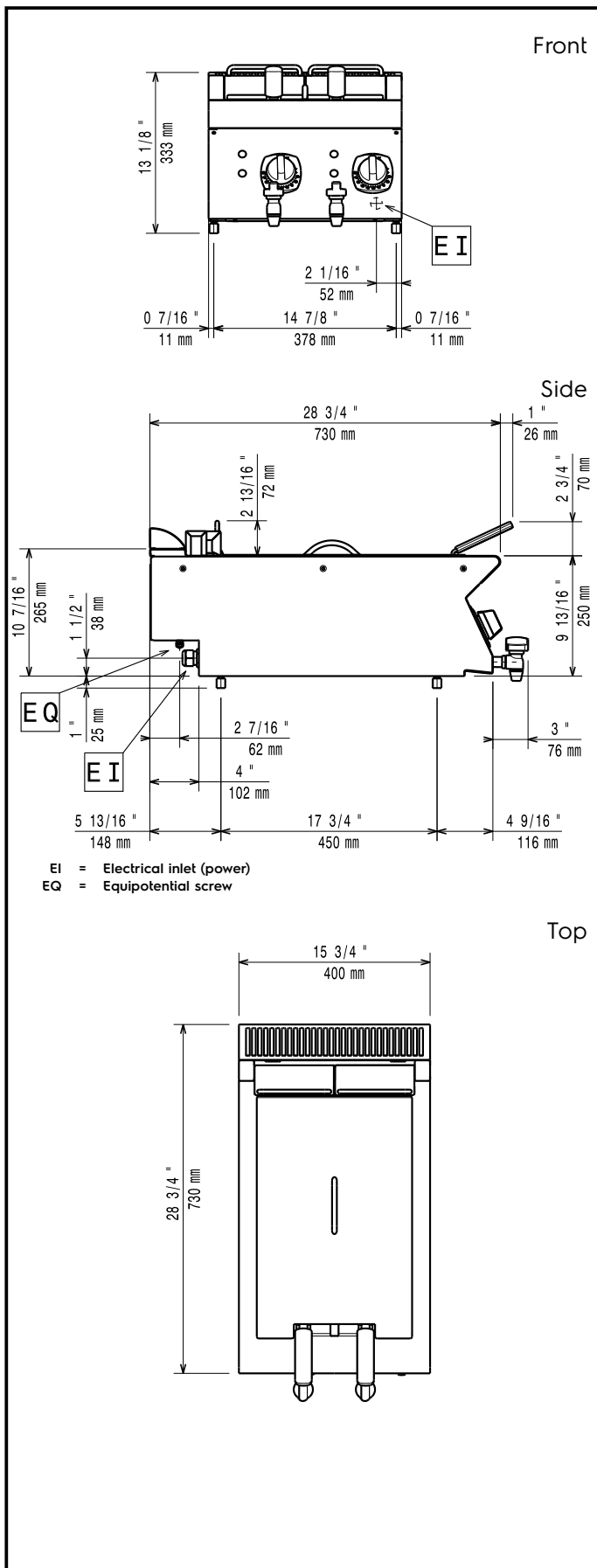
Experience the Excellence  
[www.electroluxprofessional.com](http://www.electroluxprofessional.com)

**Included Accessories**

- 1 of 2 baskets for 2x5lt and 12lt electric fryers PNC 960638

**Optional Accessories**

- Junction sealing kit PNC 206086
- Support for bridge type installation, 800mm PNC 206137
- Support for bridge type installation, 1000mm PNC 206138
- Support for bridge type installation, 1200mm PNC 206139
- Support for bridge type installation, 1400mm PNC 206140
- Support for bridge type installation, 1600mm PNC 206141
- Support for bridge type installation, 400mm PNC 206154
- Chimney upstand, 400mm PNC 206303
- Right and left side handrails PNC 206307
- Back handrail 800 mm PNC 206308
- Chimney grid net, 400mm (700XP/900) PNC 206400
- 2 side covering panels for top appliances PNC 216277
- Trolley with lifting & removable tank (only for 371139) PNC 922403



## Electric

### Supply voltage:

371074 (E7FRED2A00)

380-400 V/3N ph/50/60 Hz

371139 (E7FRED2A0N)

230 V/3 ph/50/60 Hz

### Total Watts:

9 kW

### Predisposed for:

371074 (E7FRED2A00)

380-400V 3N- 50/60Hz  
8-9kW

## Key Information:

### Usable well dimensions (width):

110 mm

### Usable well dimensions (height):

235 mm

### Usable well dimensions (depth):

420 mm

### Well capacity:

4 lt MIN; 5 lt MAX

### Thermostat Range:

105 °C MIN; 185 °C MAX

### Net weight:

20 kg

### Shipping weight:

371074 (E7FRED2A00)

34 kg

371139 (E7FRED2A0N)

33.9 kg

### Shipping height:

371074 (E7FRED2A00)

530 mm

371139 (E7FRED2A0N)

540 mm

### Shipping width:

460 mm

### Shipping depth:

820 mm

### Shipping volume:

0.2 m<sup>3</sup>

If appliance is set up or next to or against temperature sensitive furniture or similar, a safety gap of approximately 150 mm should be maintained or some form of heat insulation fitted.

### Certification group:

371074 (E7FRED2A00)

EF17205

371139 (E7FRED2A0N)

N7FE2